

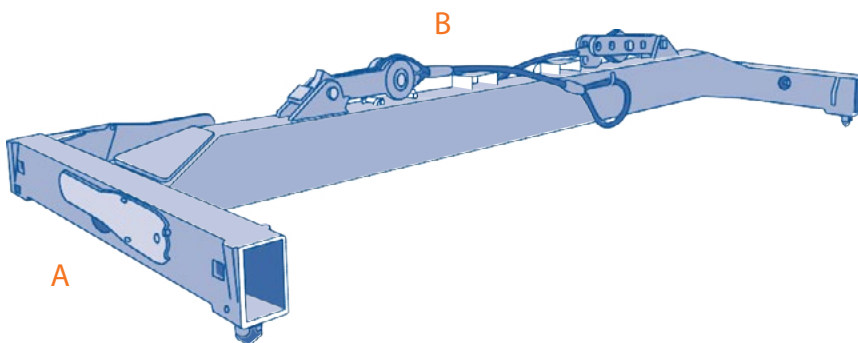
Product Datasheet

6m/20ft Spreader Beam



KEY FEATURES

- > 6m/20ft Spreader Beam for the safe lifting of 20ft ISO containers / tanks when full
- > Crane operated
- > Automatic twist lock engage / release mechanism
- > Two operational modes – automatic and manual
- > Unique gravity lever locking principle
- > 3 x guiding paddles to assist in locating and adjusting spreader to container
- > Red / Green indicator identifying when spreader is in the locked or unlocked position
- > Forklift pockets for easy manoeuvring of beam
- > Available for rental



SPREADER BEAM	
DIMENSIONS	A 2,438mm x B 6,058mm
TARE	1,800 kg
SAFE WORKING LOAD	35,000 kg