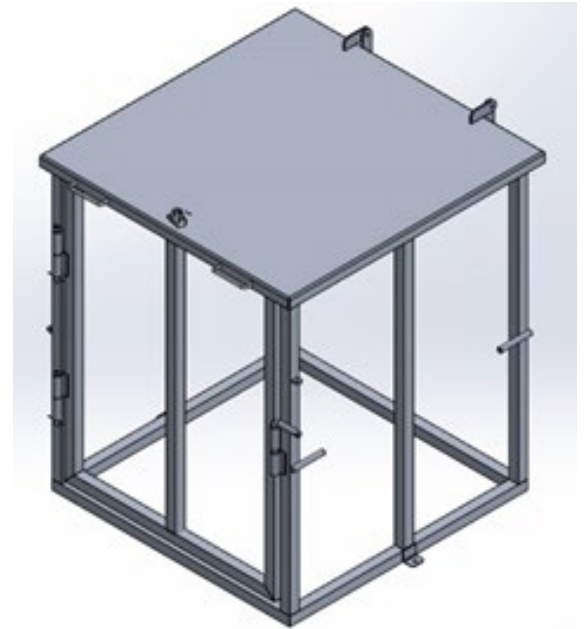


## FEATURES

- Bags manufactured to a 5:1 safety ratio
- Bags are made of disposable, biodegradable polypropylene
- Bags are available for all compactor models
- Fold up design for convenience when bags not in use
- Bag stands available for Model 1200, 1400, 2000, 3000, 4000, and 5000 bags
- Bags tested to 5X rated load



## TECHNICAL SPECIFICATION

BAG MODEL	PART NUMBER	COMPACTOR MODEL	CAPACITY	SAFE WORKING LOAD	PALLET QUANTITY
5000 White / B-5000-01-07-W5	HV96032	5000, MG15, H15	50 ft <sup>3</sup> / 1.4 m <sup>3</sup>	2,200 lbs / 1000 kg	175
5000 Green / B-5000-01-07-G5	HV96031	5000, MG15, H15	50 ft <sup>3</sup> / 1.4 m <sup>3</sup>	2,200 lbs / 1000 kg	150
4000 White / B-4000-01-07-W4.5	HV96030	4000, MG10, H10, 40M	40 ft <sup>3</sup> / 1.1 m <sup>3</sup>	2,000 lbs / 907 kg	200
4000 Green / B-4000-01-07-G4.5	HV96029	4000, MG10, H10, 40M	40 ft <sup>3</sup> / 1.1 m <sup>3</sup>	2,000 lbs / 907 kg	175
3000 White / B-3000-01-07-W4.5	HV96026	3000	30 ft <sup>3</sup> / 0.85 m <sup>3</sup>	1,500 lbs / 685 kg	250
2000 White / B-20M-01-07-W3.5	HV96025	H5, 20M	20 ft <sup>3</sup> / 0.6 m <sup>3</sup>	600 lbs / 272 kg	300
1700 White / B-1700-01-07-W4	HV96024	MG5, 1700	17 ft <sup>3</sup> / 0.5 m <sup>3</sup>	600 lbs / 272 kg	400
1400 White / B-1400-01-07-W5	HV96023	1400, R6x2	14 ft <sup>3</sup> / 0.4 m <sup>3</sup>	550 lbs / 250 kg	450
1400 Green / B-1400-01-07-G5	HV96022	1400, R6x2	14 ft <sup>3</sup> / 0.4 m <sup>3</sup>	550 lbs / 250 kg	450
1200 White / B-1200-01-07-W5	HV96021	1200	12 ft <sup>3</sup> / 0.3 m <sup>3</sup>	600 lbs / 272 kg	375
600 White / B-600-01-07-W3	HV96033	MG2, H2, 600	6 ft <sup>3</sup> / 0.2 m <sup>3</sup>	650 lbs / 295 kg	600
TRI2 Green / B-TRI2-01-07-G5	HV96035	R6, R6x2	5.5 ft <sup>3</sup> / 0.16 m <sup>3</sup>	600 lbs / 272 kg	500
R44 Green / B-R44-01-07-G4	HV96034	R44	3.5 ft <sup>3</sup> / 0.10 m <sup>3</sup>	350 lbs / 159 kg	800
Universal Red Strap / B-345K-RED	HV96027	30/40/50	50 ft <sup>3</sup> / 1.4 m <sup>3</sup>	2,200 lbs / 1000 kg	175
Universal White Strap / B-345K-WHITE	HV96028	30/40/50	50 ft <sup>3</sup> / 1.4 m <sup>3</sup>	4,000 lbs / 1814 kg	150

Note: All measurements are rounded up to the nearest whole unit or decimal.